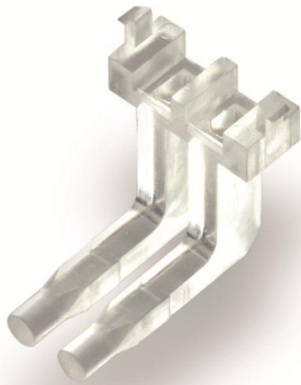


Series EL952

Article: 410083



Rigid Fibre Optic Light Guides

Double 90° Fibre Optic Light Guide for SMD-LEDs
 Double light pipe 90°. Ideal for applications where light from a SMD-LED must be routed to a front panel.
 Maximum light transmission. Available as single, double, triple and quadruple light pipe with flat light output.
 Available in 3 different heights and lengths.

Material:
 Polycarbonat clear, UL 94 V-2

Technical Data 410083

Material	polycarbonate
Fire protection class	UL 94 V-2
Colour	transparent
Light redirectors angle	90
Fiber Type	rigid
Number of optical fibers	2 light pipes
Face size Ø in mm	2,8
Face shape	round and flat
Include LED?	No
Color face	transparent
Total length optical fiber in mm	16
Length lens to center bottom part in mm	14
Central line (height, X) in mm	5

Drawing for Component

