

Series LPR33

Article: 404407



Cable Tie Fixtures

Cable Tie

2-way Cable Tie Entry Mount, Adhesive Back / Screw

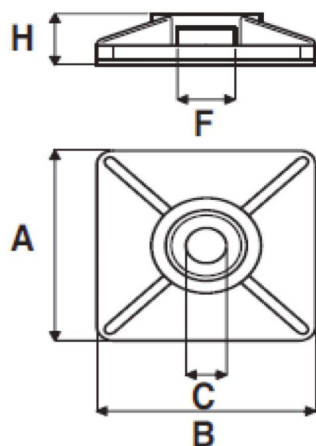
Material:

ABS, natural or black

Technical Data LPR33

Assembly type	self-adhesive
Material	polyamide 6.6
Fire protection class	UL 94 V-2
Colour	black
Widths in mm	19
Material adhesive film	rubber based, foam polyethylene
Height in mm	5
Depth in mm	19
Width cable ties implementing in mm	4

Drawing for Component



A	Tiefe
B	Breite
C	Montagelochdurchmesser
F	Breite Kabelbinderdurchführung
H	Höhe