

Series LPR20

Article: 400921



Leiterplattenzubehör

Vertical, Pluggable PCB Guide

Used for the vertical installation of PCBs. 2 channels allow for the insertion of 2 PCBs.

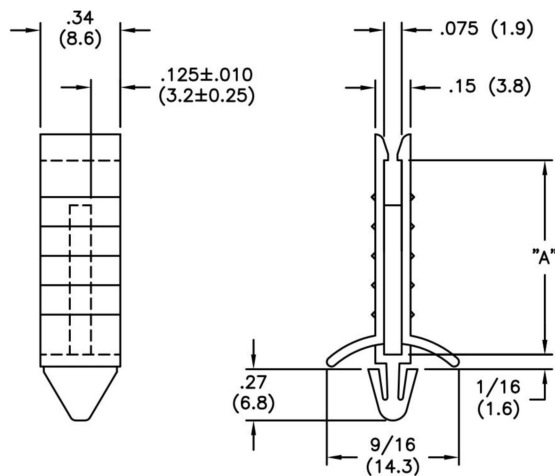
Material:

Nylon 66 nature, UL94 V-2

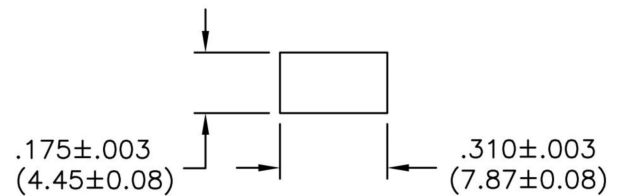
Technical Data 400921

| | |
|----------------------------------|--------------------|
| Fire protection class | UL 94 V-2 |
| Assembly type | plug |
| Material | nylon 66 |
| Colour | natural |
| (A) length-overall in mm | 25,4 |
| (A length-overall) tolerance | ± 0,4 |
| width foot socket in mm | 8,7 |
| Hole Diameter for mounting in mm | 4,4x7,9 |
| (Hole Diameter) tolerance | ± 0,08 |
| Material thickness in mm | 0,8 |
| Max. material thickness in mm | 1,6 |
| Number of card guides | Single-sided |
| Card guide characteristic | PCB guide vertical |

Drawing for Component



RECOMMENDED MOUNTING HOLE



BOARD THICKNESS: .030— .070 (0.76—1.78)