

Series LPR80N

Article: 400997



Spacers

PCB Spacer

Self-locking, released by pressing the nose.

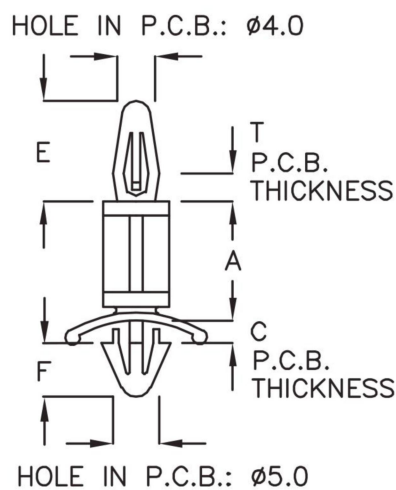
Material:

Nylon 66, natural, UL 94 V-2

Technical Data LPR80N

Distance height in mm	4,8
Assembly type	double-sided snap lock
Holding Type	Snap lock
Mounting Type	Snap lock
Material	nylon 66
Fire protection class	UL 94 V-2
Colour	natural
Mounting hole diameter in mm	5
Height mounting type in mm	5,5
Support hole diameter in mm	4
Support panel thickness in mm	1,2-1,6
Mounting panel thickness in mm	1,0-2,2

Drawing for Component



A	Distanzhöhe
C	Einbauplattendicke
E	Höhe Kopfteil
F	Höhe Bodenteil
T	Tragplattendicke