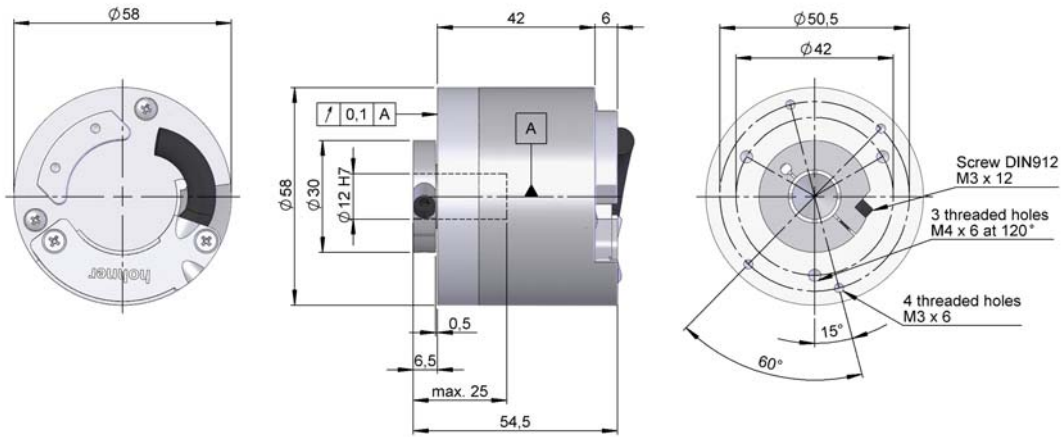


SINGLETURN ABSOLUT ENCODER

- Singleturn resolution up to 17 bits
- SSI or BISS output absolut interface
- Incremental output signals 1Vpp (sin/cos)
- Protection class IP54 according to DIN 40050
- External diameter 58 mm
- Blind hollow shaft



Previous mounting and installation of the encoder is recommended to read the section "TECHNICAL CONSIDERATIONS".

ORDERING CODE

TYPE	SERIE	SHAFT	FLANGE	CONNECTION	AXIAL RADIAL	INTERFACE	CODE	IP	POWER SUPPLY	CONFIG. PARAMETERS	RESOLUTION	SPECIAL CUSTOMER
● ●	19	●	●	●	●	●	●	●	●	●	● ● ● ●	● ●
SMRS- Singleturn		3- $\varnothing 12$ mm 4- $\varnothing 10$ mm	1- None	0- Helical 1- Cable		1- SSI 2- SSI + SinCos 1Vss 3- BISS 4- BISS + SinCos 1Vss	1- Binary CW 2- Binary CCW 3- Gray CW 4- Gray CCW 5- BISS**	1- IP54	1- 10...30 Vdc 2- 5 VDC	S- Direction	10- 1024 12- 4096 13- 8192 14- 16384 17- 131072	

Incremental resolution 2048 SinCos.

** Protocol BISS can configurate code, direction and resolution by BUS.

TECHNICAL SPECIFICATION

Housing	Aluminium.
Shaft	Stainless steel.
Bearings	Ballraces.
Bearings lifetime	1x10 ¹⁰ rev.
Maximum number of revolutions permitted mechanically	6000 rpm.
Protection against dust and splashes according to DIN 40050	IP54.
Rotor inertia moment	30 gcm ² .
Starting torque 20°C (68°F)	Max. 2 Ncm.
Maximum load permitted on axial shaft	40 N.
Maximum load permitted on radial shaft	60 N.
Weight	350gr.
Operating temperature range	-10°C a +70°C.
Vibration	100 m/s ² (10Hz...2000Hz).
Shock	1000 m/s ² (6ms).
Consumption max.	90mA.
Power supply	10..30Vdc / 5Vdc.
Absolut interface	SSI / BISS.
Electrical output (absolut)	RS 422.
Absolut max. frequency (SSI/BISS)	1.5MHz SSI / 4MHz BISS.
Linearity	±1/2 LSB.
Absolut singleturn resolution	10, 12, 13, 14 or 17 bits.
Incremental electrical output	Sin/Cos, 1Vpp.
Incremental singleturn resolution	2048 ppv.
Incremental max.frequency (at.3dB)	200KHz.
Available codes (absolut)	Binary, Gray or configurable.
Direction	External controlled.
nReset/nPreset	By pushbutton.
Diagnosis led	Green = ok, Red = alarm.
Connection	Cable (2m).

CONNECTION



	Cable 6x2x0.14 BISS+SinCos / SSI+SinCos	Cable 3x2x0.14+2x0.34 BISS / SSI
GND	White	Black
Vcc	Brown	Red
SLO+ / DATA+	Rose	Yellow
SLO- / DATA-	Grey	Green
MA+ / CLOCK+	Yellow	Brown
MA- / CLOCK-	Green	Blue
SLI+	-	-
SLI-	-	-
nDIR	Red-Blue	Grey
A/COS	Red	-
B/SIN	Black	-
nA/nCOS	Blue	-
nB/nSIN	Violet	-
Screen	Screen	Screen