

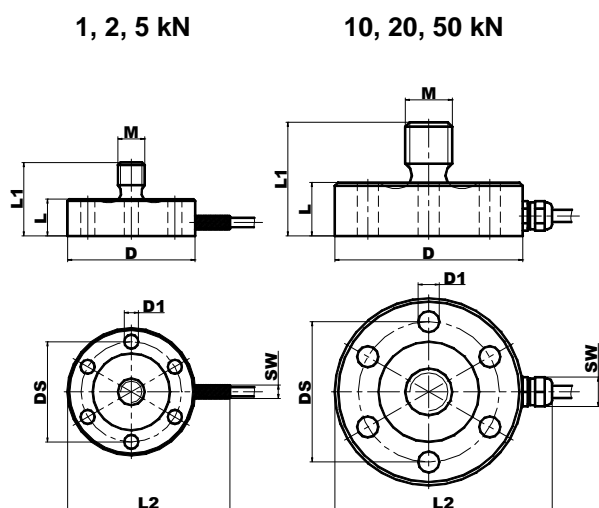
SHEAR-WEB LOAD CELL MEG40

Special features

- For general purpose
- Strain gauge measuring system
- Tension / Compression
- Low profile



Outline Dimensions (mm)



Capacity kN	D mm	D1 mm	L mm	L1 mm	L2 mm	M Mm	SW	DS mm
1	38	6x4,2	11	22	46	M8	4	30
2	38	6x4,2	11	22	46	M8	4	30
5	38	6x4,2	11	22	46	M8	4	30
10	50	6x5,2	14	29	58	M10	8	38
20	56	6x6,3	16	34	64	M14	8	42
50	68	6x8,4	19	42	76	M20	8	50

Specifications

Accuracy class	0.5	
Rated Capacities kN	1, 2, 5	10, 20, 50
Safe Overload	150 %F.S.	
Ultimate Overload	200 %F.S.	
Rated Output	1.5 mV/V ± 2%	
Zero balance	2 % F.S.	
Non-linearity, %F.S.	0.25	0.5
Hysteresis, %F.S.	0.25	0.5
Creep (30 min)	0,1 %F.S.	
Temperature Effect		
- On Zero	0.1 %F.S./10 °C	
- On Output	0.1 %F.S./10 °C	
Input Impedance	380Ω ± 10%	
Output Impedance	350Ω ± 5%	
Insulation Impedance	> 5000 MΩ	
Excitation		
- Recomend	10 V	
- Maximum	15 V	
Temperature range		
- Compensated	0 ... + 50 °C	
- Operating	- 10 ... + 70 °C	
Protection	IP54	
Construction	Steel	
Cable (2 m)	LifYDY 4x0.05	LiYCY 4x0.14

Wiring diagram

