

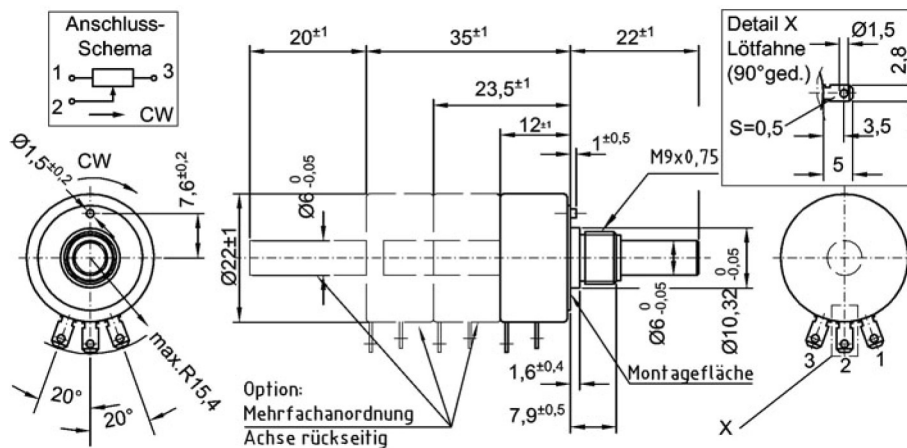
## Series RP19, RP20 / Singleturn Wirewound Potentiometer

- Housing  $\varnothing$  22 mm
- With or without stop
- Multi ganging up to 10 Pots possible
- Linearity tolerance  $\pm 0,5\%$  ( $\pm 0,25\%$ )
- Rear shaft optional
- Customized adaptations

A robust angle sensor with excellent linearity tolerance.  
Front shaft sealing (IP65) optional.



## Drawing



## Series RP19, RP20 / Singleturn Wirewound Potentiometer

Electrical Data	RP19	RP20
Electrical Angle	320° ± 5°	355° ± 5°
Resistance Values	10 ... 20 kOhm	
Resistance Tolerance	± 3% (± 1%)	
Linearity Tolerance, independent	± 0,5% Standard ± 0,25% improved ± 0,35% improved < 1K	
Noise	< 100 Ohm	
Power Rating at + 70°C (0W at 105°C)	0,5 W	
Wiper Current	maximum 35 mA recommended < 0,02 mA	
Insulation	1000 MOhm at 1000 VDC	
Dielectric Strength	1000 VAC (1 min.)	

Windings, Resolution									
Resistance Value [Ohm]	50	100	200	500	1k	2k	5k	10k	20k
Windings	300	370	470	450	570	740	1000	1270	1670
Resolution in % (100% / winding)	0,333	0,27	0,213	0,222	0,1754	0,135	0,1	0,079	0,599

Mechanical Data	RP19	RP20
Mechanical Angle	320° ± 5° with Stop	360° without Stop
Maximum Rotational Speed	40 rpm	
Life (n x 90% elec. angle)	1 Mio. turns	
Starting Torque	< 0,5 Ncm	
Stopper Strength	< 60 Ncm	--
Fastening torque mounting nut	< 150 Ncm max.	

Other Data	
Protection	Standard IP40 / Optional IP65
Operating Temperature	-55 ... + 105° C
Bearing	Sleeve Bearing
Housing Material	glass-fiber reinforced plastic PA66
Shaft Material	stainless steel
Connection	gold-plated solder lugs, fitted to receptacles
Mounting parts	hex-nut, tooth washer
Weight	20 g

# Series RP19, RP20 / Singleturn Wirewound Potentiometer

## Order code

Description	Options
<b>With Stop</b>	<b>RP 19</b>
<b>Without Stop</b>	<b>RP 20</b>
<b>Res [Ohm]</b>	R500 (*) <b>R1K</b> R2K (*) <b>R5K</b> <b>R10K</b> R20K (*) R50K (*) R100K (*)
Rear shaft, length [mm] (*)	RA.. (*)
Special diameter of the rear shaft [mm] (*)	RADM (*)
<b>Resistance tolerance</b>	<b>W3%</b> W1% (*)
<b>Independent linearity [± %]</b>	<b>L0,5%</b> L0,25% (*)
Center tap (voltage type) (*)	CT (*)
Special shaft length [mm] (*)	A.. (*)
Special shaft diameter [mm] (*)	DM (*)
Screwdriver slot (*)	B (*)
Sealing ring in the bushing (*)	D (*)

(\*) = on request available for projects

Errors and specifications subject to change without notice.

27.10.2016