

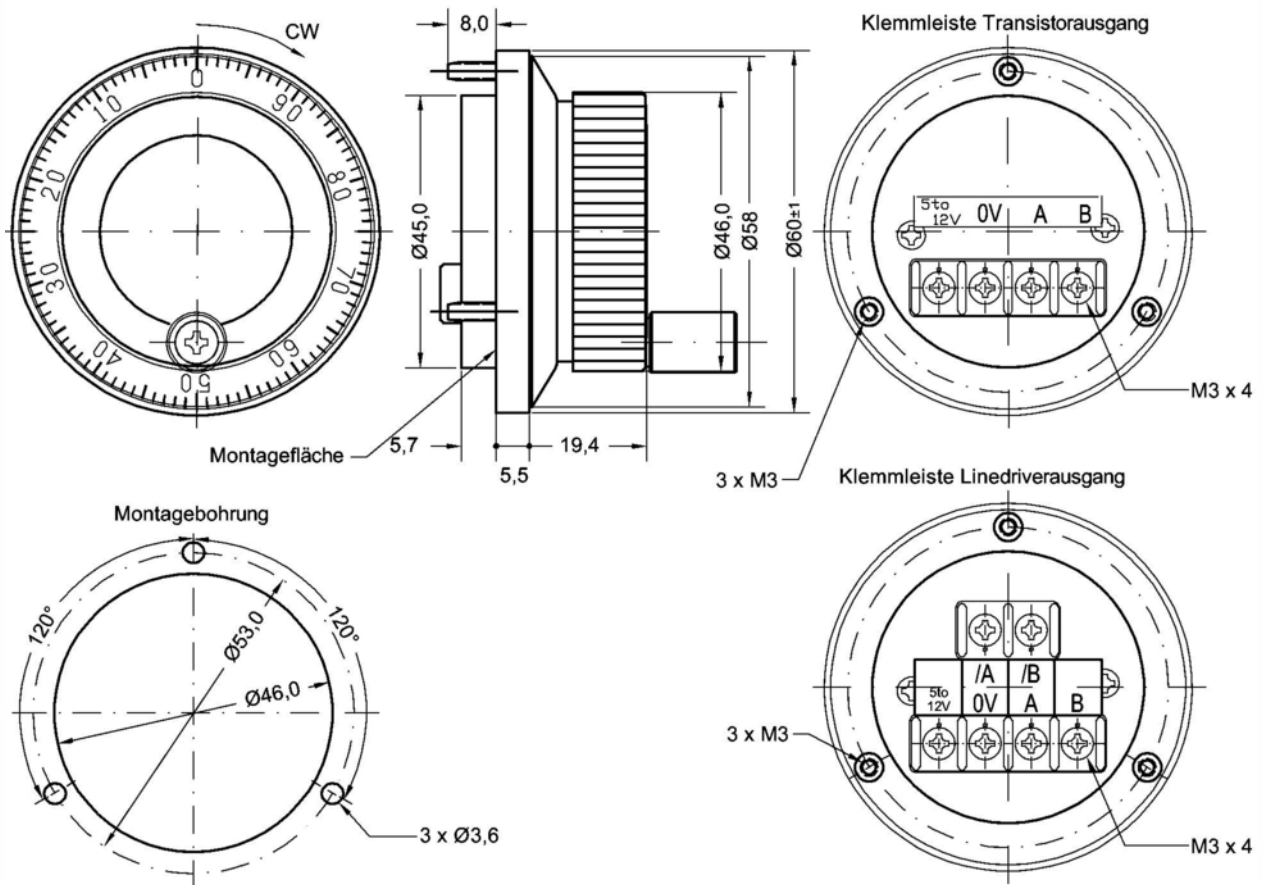
Series MHU60 / Optoelectronic, Manual Encoder

- Knob diameter 60 mm
- Low installation depth (10 mm)
- High grade click mechanism
- Transistor or linedriver output
- New: Optional protection class IP64 for panel mounting
- Well priced

The manual encoder MHU60 is with its small installation height of 10 mm very space saving. Due to high volume production the product is characterised by a good price/performance ratio.

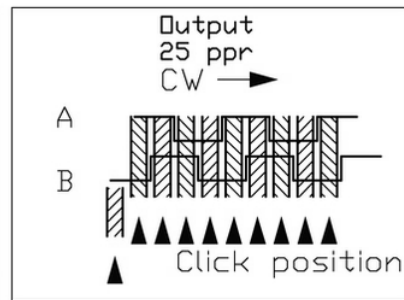
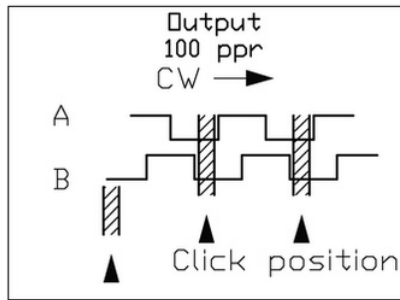
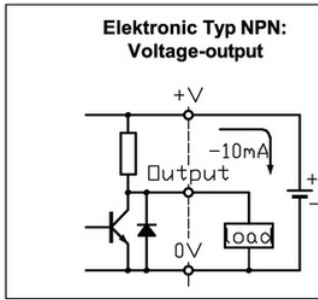


Drawing



Dimensions in mm

Interfaces and detent position



Electrical Data

Output Electronic	NPN	N
Resolution	25, 100 ppr	
Output Channels	A, B	
Limit Frequency	5 kHz	
Supply Voltage	5-12 V \pm 10%	5 V \pm 5%
Supply Current	50 mA	150 mA
High Pegel	Supply -1 V	> 2,5 V
Low Pegel	< 0,5 V	
Max. Output Current	20 mA	

Mechanical Data

Rotational Life	10 Mio. rev.
Maximum Rotational Speed	200 rpm (600 rpm short-term)
Operational Torque	2,9 - 5,9 Ncm
Mechanical clicks	100 clicks (25 and 100 pulses)

Series MHU60 / Optoelectronic, Manual Encoder

Other Data

Protection Class	IP40 IP64 from panel side
Operating Temperature	-10 ... +60 °C
Storage Temperature	-20 ... +70 °C
Vibration	10-55 Hz / 1,5 mm 2h
Shock	490 m/s/ 11 ms X ,Y, Z 3 times
Bearing	Sleeve Bearing
Housing Material	Plastic
Shaft Material	Brass
Disc Material	Thermoplastic
Weight	200 g

Options and Order Description

Series	MHU60					
25 ppr.		25 (*)				
100 ppr.		100				
<u>Output Electronic</u>						
VSUP: 5-12V; NPN			512		NPN	
VSUP: 4,75-5,25 V; Linedriver			5		N	
Out Signal A+B				B		
<u>Protection Grade</u>						
IP40					-	
IP64 (only available with silver knob)					IP	
<u>Knob Colour</u>						
Silver						Silver
Black						Black

(*) = on request available for projects

Errors and specifications subject to change without notice.

27.10.2016