

# Data sheet for Load Cells

Shear Beam with Electronic

Series KT801



- Compact shear beam with electronic
- Output 0..10V, 4..20 mA @24 VSUP
- Force transmission via M8-thread
- Strain gauge
- Measuring body steel
- Calibration including measurement data

Series KT801 force sensors are double bending beam sensors and characterized by its tight shape and its easy way of fastening. It could be fixed with 2 screws at any flat and stable ground. Force application is vertical to sensor-axis.

## Data Load Cell

Rated force	2KN; 3,5KN; 5KN
Rated characteristic value 2410 / 2442	10 V / 20 mA @ rated force
Relative error of characteristic value	≤ 10 % of rated output
Relative repeatability error	≤ 0,05 % of rated output
Relative reversibility error	≤ 0,05 % of rated output
Relative linearity error	≤ 0,2 % of rated output
Reference straight line	≤ 0,05 % of rated output
Zero signal when removed 2410 / 2442	0 V / 4 mA
Relative deviation of zero signal	≤ 1 % of rated output
Insulation resistance	≥ 5 GΩ @ 50 V DC
Maximum operating force	≤ 150 % of rated force
Rated range of excitation voltage	24 V DC
Operating range of excitation voltage	10..36 V DC
Rated temperature range	0 °C .. +70 °C
Operating temperature range	0 °C .. +55 °C
Protection	IP40
Temperature effect on characteristic value	≤ 0,15 % of rated output / 10 K
Temperature effect on zero signal	≤ 0,1 % of rated output / 10 K
Creep under load	≤ 0,05 % of rated output
Cable dimension	4xAWG26; jacket Ø4,6 mm; screened
Cable length from body	ca. 1,75 m
Body material	Nickel-plated steel alloy
Mass	ca. 390 g

Terms according to guideline VDI / VDE / DKD 2638

# Data sheet for Load Cells

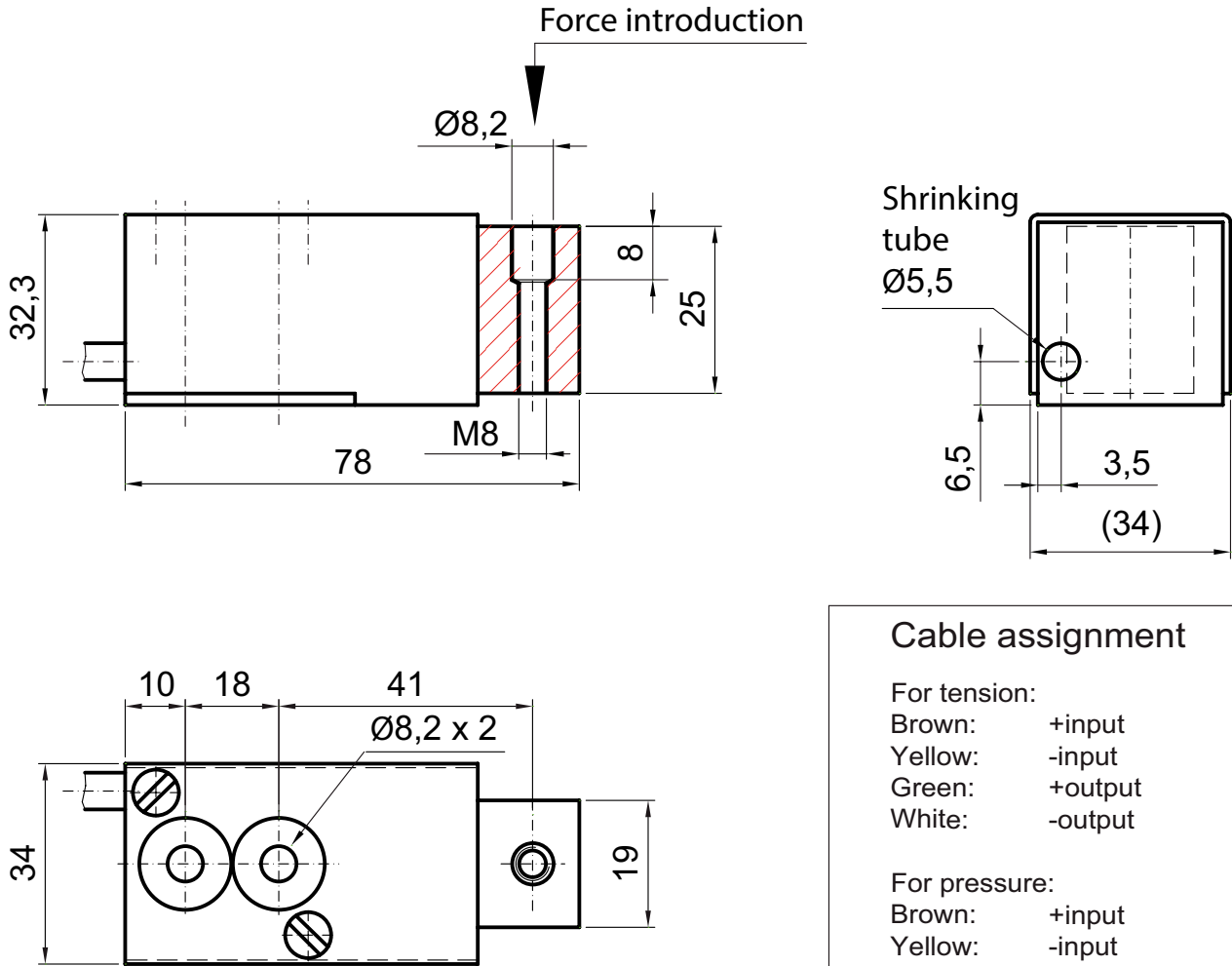
Shear Beam with Electronic

Series KT801

## Order code

Description		Selection: standard=black/bold, possible options=grey/cursive		
Series:	<b>KM801</b>			
Connecting cable: Cable length 1,75 m		<b>K</b>		
Rated force: 2 kN 5 kN			<b>2kN 5kN</b>	
Electronic: 24 VSUP 0..10 V Output 24 VSUP 4..20 mA Output				<b>2410 2442</b>

Drawing



Dimensions in mm

### Cable assignment

For tension:

- Brown: +input
- Yellow: -input
- Green: +output
- White: -output

For pressure:

- Brown: +input
- Yellow: -input
- Green: -output
- White: +output