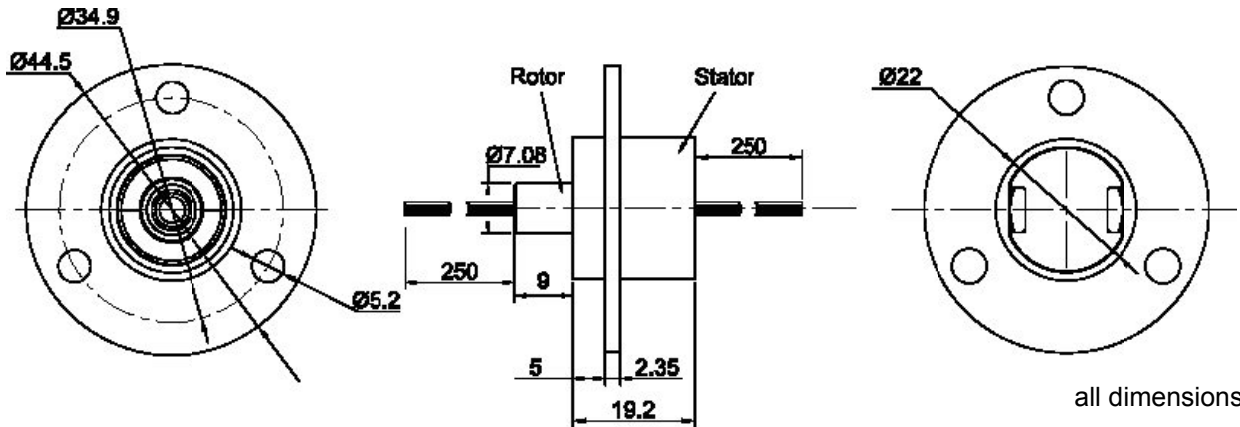
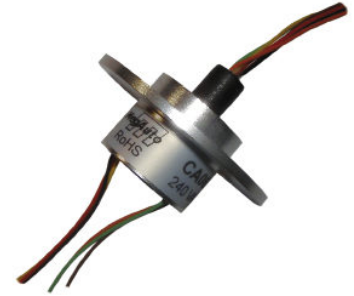


6 Rings at 240V / 2A
22mm housing diameter

- For analog and digital signal transmission
- Gold to Gold contacts
- Precision ball bearings
- Metal housing with flange
- Low current noise



ELECTRICAL CHARACTERISTICS

Number of rings	6
Current	240 VAC/DC
Voltage	2A per ring
Dielectric strength	500 VAC (60 Hz) ring to ring
Insulation resistance	1000 MΩ at 500 VDC
Noise	≥20 mΩ
Protection	IP54

MECHANICAL CHARACTERISTICS

Mechanical angle of rotation	360° continuous
Rotating speed	250 rpm
Rotational life (rotor movements)	< 60.000.000*
Bearing type	precision ball bearings
Operating temperature (°C)	-40°C to +85°C

*application dependent

Description: Sliprings are used in electrical - mechanical systems where a uninterrupted current or signal transmission from a static to an rotating object has to be to proceed. The encapsulated sliprings are integrated into a metal housing, this avoids the influence of interferences. Special wipers are sliding on a track, wiper and track are formed to fit perfectly into each other. This construction enlarges the contact surface, reduces current noises and improves the life time performances.

Application: Robotics, Rotative sensors, Aviation, Military, Medical equipment, Measurement and testing devices, Rotary indexing table, Video systems.

MATERIAL

Stator	Alumina
Rotor	Thermoset plastic
Contacts	Gold to Gold
Connecting wire	AWG28, copper, silver plated Teflon™ covered

COLOR CODING FOR WIRES

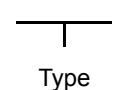
Color	Ring
Black	Ring 1
Brown	Ring 2
Red	Ring 3
Orange	Ring 4
Yellow	Ring 5
Green	Ring 6

OPTIONS ON REQUEST

Special rings for 5 or 10A
Mechanical adapter
Coax- or databus wiring
Other lengths of the wires
Connector

ORDERING INFORMATION

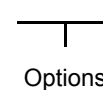
CA6X4AL



Type

Detailed information: www.megauto.de/slipring

length of the wire 500mm



Options

Please note: The specification and information in this datasheet cannot consider all special demands that are caused by the application. Because of this, they are no general description of the properties of the product. Megauto does not assume any responsibility for damages due to improper application of our products. The user has to ensure by its own, that the products used are suitable for this application. Megauto does not warrant the reproducibility of published applications.